



8035M06
8045M08
8065M12

SUPPLEMENT TO USE AND MAINTENANCE PRINT L3 I032008
SUPPLEMENTO AL MANUALE USO E MANUTENZIONE STAMPATO L3 I032008
SUPPLÉMENT À L'EMPLOI ET ENTRETIEN IMPRIMÉ L3 I032008
BEILAGE ZUR BETRIEBSANLEITUNG DRUCKSCRIPT L3 I032008
SUPLEMENTO DEL USO Y MANUTENCIÓN PUBLICACIÓN L3 I032008



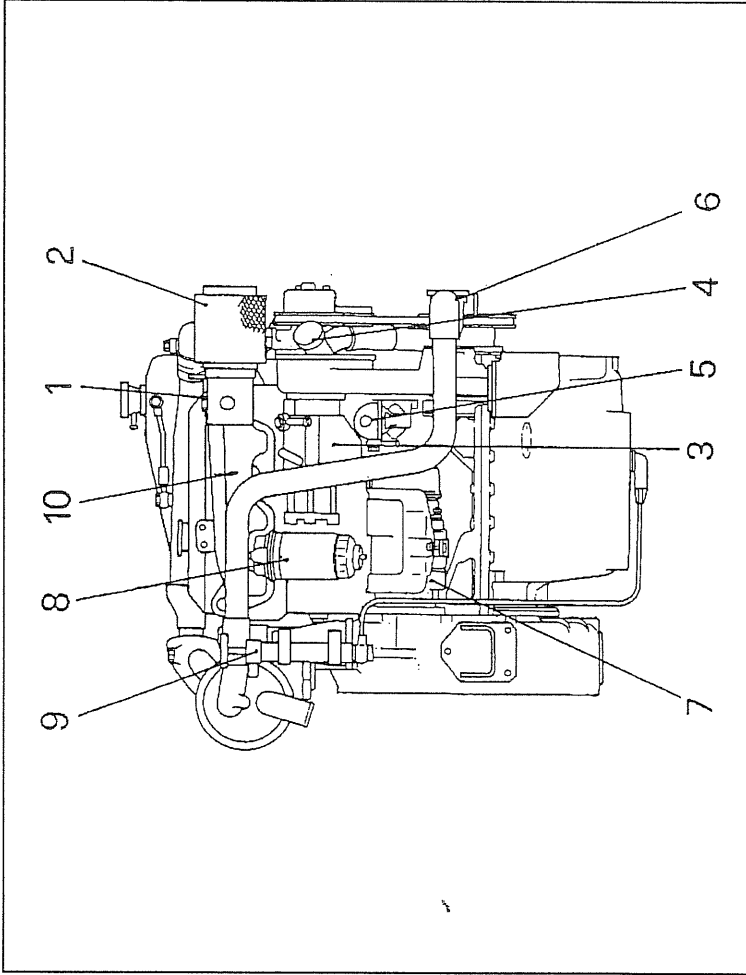
FOREWORD

This supplement deals exclusively with the use and maintenance instructions of the engines 8035M06, 8045M08 and 8065M12 which differ from the instructions of the engines 8031M06, 8041M08 and 8061M12 listed in the use and maintenance booklet print L31032008.

TABLE OF CONTENTS

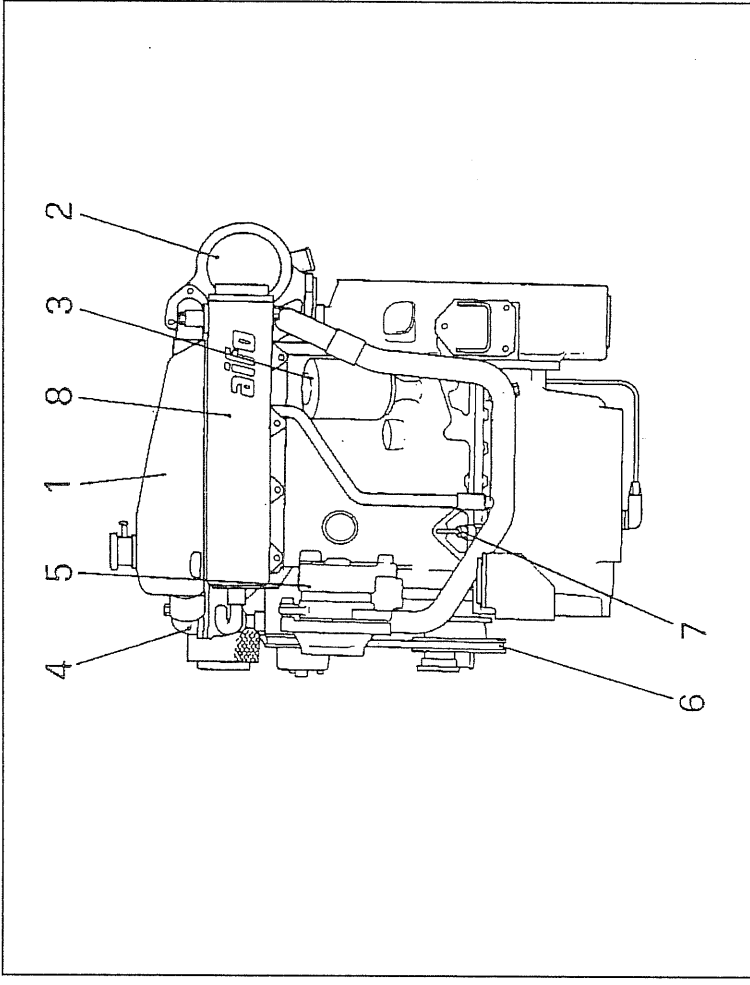
	Page
Engine description	2
Engine specifications	5
Capacities	6
Routine maintenance	7

MARINE ENGINES



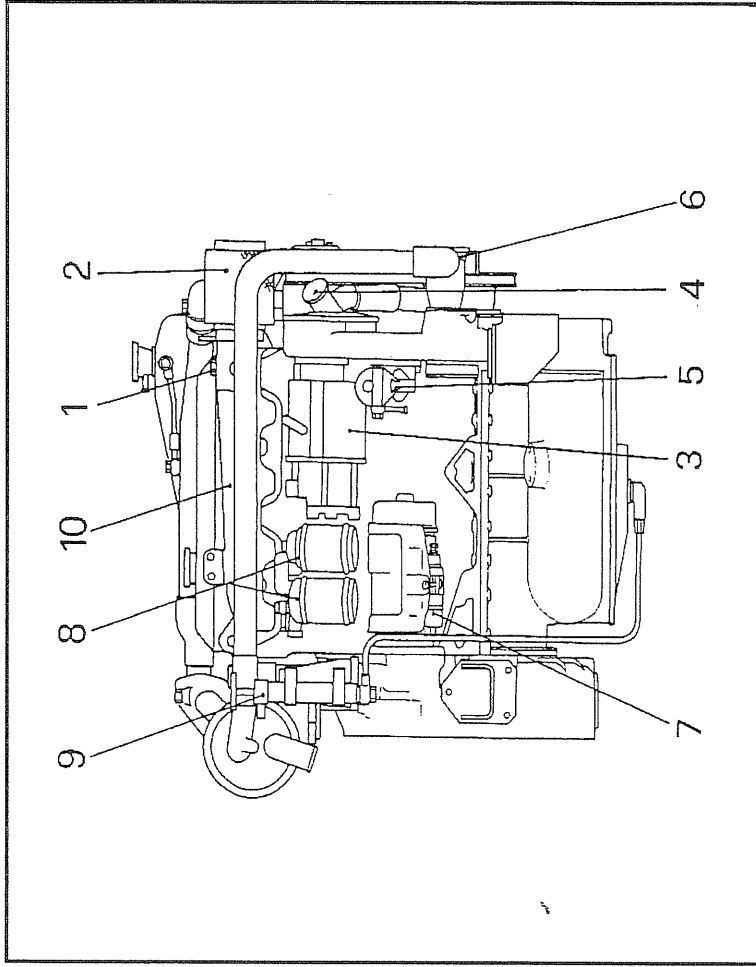
Engine 8035M06 : right hand view

1. Air cleaner restriction indicator - 2. Wet air cleaner - 3. Injection pump - 4. Oil filler cap - 5. Fuel lift pump - 6. Sea water pump - 7. Starter motor - 8. Fuel filter - 9. Oil extraction pump - 10. Intake manifold.



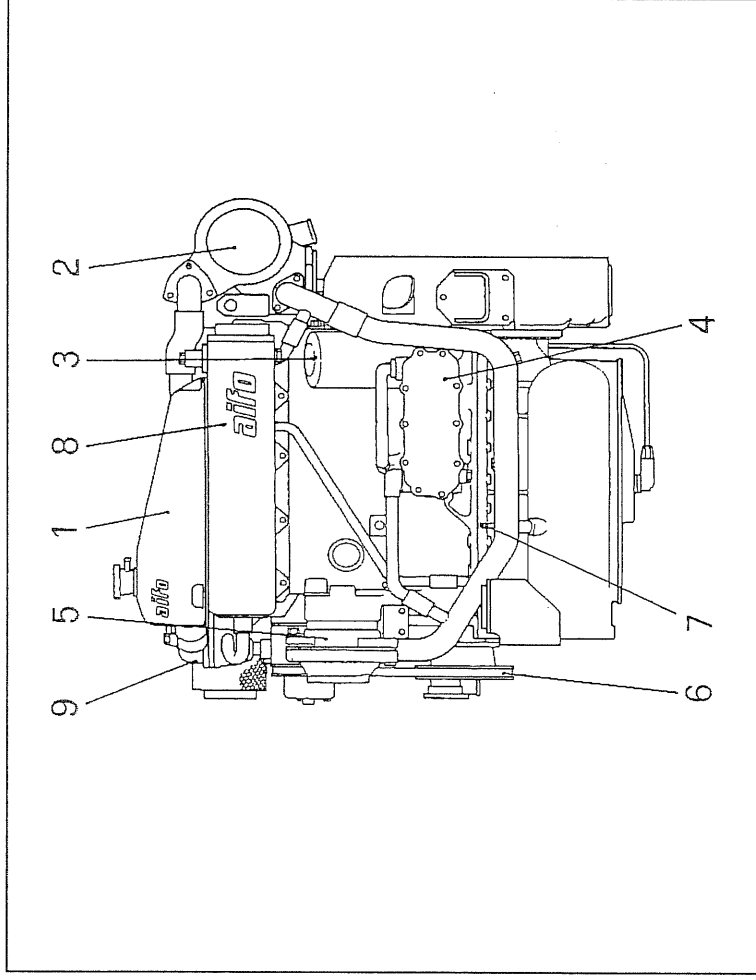
Engine 8035M06 : left hand view

1. Compensating tank - 2. Sea water/fresh water heat exchanger - 3. Oil filter - 4. Thermostat socket - 5. Alternator - 6. Alternator-water pump drive belt - 7. Oil dipstick - 8. Exhaust manifold.



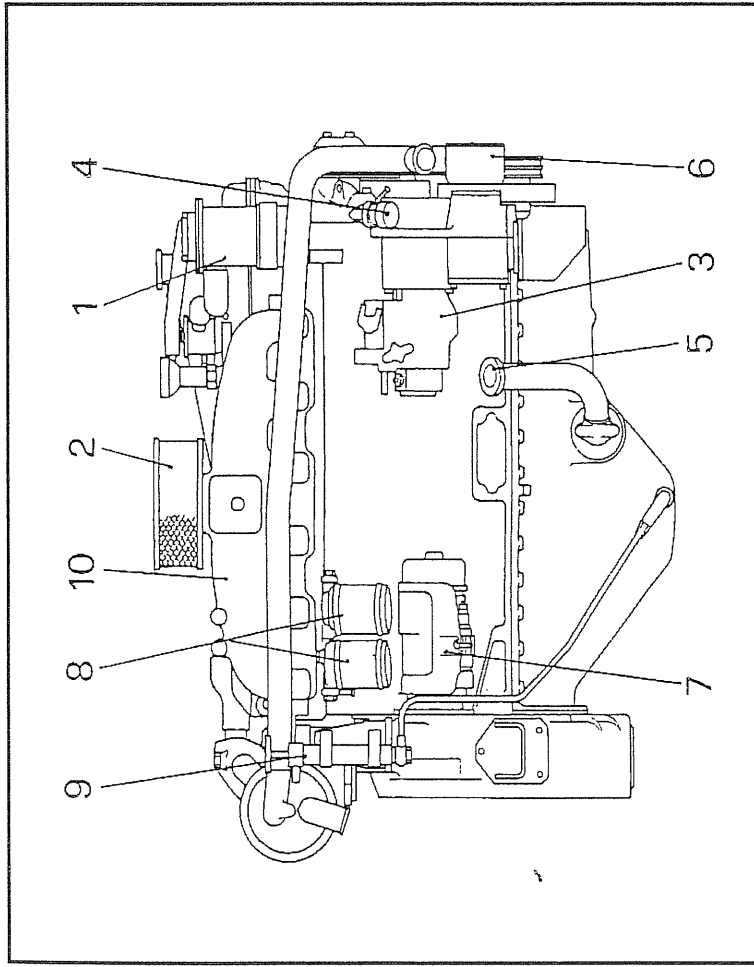
Engine 8045M08 : right hand view

- 1. Air cleaner restriction indicator - 2. Wet air cleaner - 3. Injection pump - 4. Oil filler cap - 5. Fuel lift pump - 6. Sea water pump - 7. Starter motor - 8. Fuel filters - 9. Oil extraction pump - 10. Intake manifold.



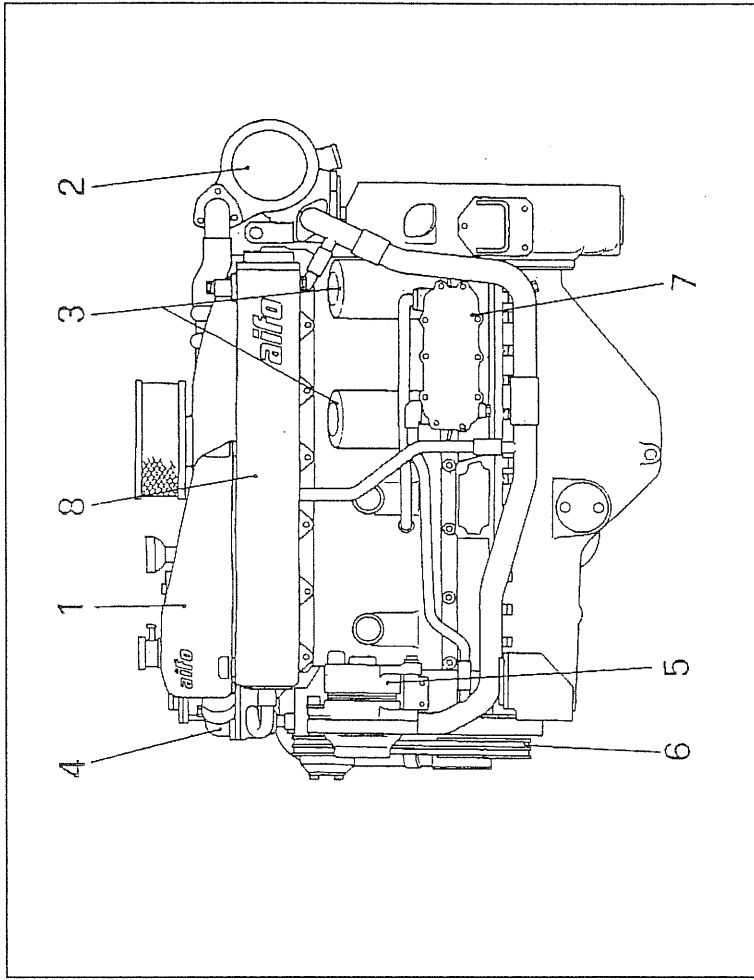
Engine 8045M08 : left hand view

- 1. Compensating tank - 2. Sea water/fresh water heat exchanger - 3. Oil filter - 4. Engine oil heat exchanger - 5. Alternator - 6. Alternator-water pump drive belt - 7. Oil dipstick - 8. Exhaust manifold - 9. Thermostat socket.



Engine 8065M12 : right hand view

- 1. Engine breather - 2. Air cleaner - 3. Injection pump - 4. Fuel lift pump - 5. Oil filler cap - 6. Sea water pump - 7. Starter motor - 8. Fuel filters - 9. Oil extraction pump - 10. Intake manifold.



Engine 8065M12 : left hand view

- 1. Oil filters - 2. Compensating tank - 3. Sea water/fresh water heat exchanger - 4. Thermostat socket - 5. Alternator - 6. Alternator-water pump drive belts - 7. Engine oil heat exchanger - 8. Exhaust manifold.

GENERAL ENGINE DATA

- 4 stroke Diesel, injection direct
- Cylinders, number and arrangement(8035M06) 3, in linea
- Cylinders, number and arrangement (8045M08) 4, in linea
- Cylinders, number and arrangement (8065M12) 6, in linea
- Bore x stroke 104 x 115 mm
- Displacement (8035M06)..... 2.9 l
- Displacement (8045M08)..... 3.9 l
- Displacement (8065M12)..... 5.9 l
- Engine rotation (seen from flywheel) CCW

SPECIFIC ENGINE DATA

Description	8035 M06	8045 M08	8065 M12
- Aspiration	NA	NA	NA
- Maximum net power at flywheel (*) kW (CV)	42 (57)	59 (80)	85 (115)
- at speed			
rpm	2500	2500	2500
- Dry weight (without marine gear) kg	351	430	530

(*) Net power at flywheel to ISO 3046-1.

CAPACITIES

Parts	Quantity		Product
	l	kg	
Cooling system			
- 8035M06	~13	-	Mixture of water and
- 8045M08	~15	-	50% Parafllu 11 (1)
- 8065M12	~18	-	
Engine sump and filter (total capacity)			
- 8035M06	7.7	7	Urania Turbo /
- 8045M08	11.5	10.5	Turbo LD (3)
- 8065M12	15	13.7	
Sump only :			
- min. level			
- 8035M06	4.4	4	
- 8045M08	7.2	6.5	
- 8065M12	8.8	8	
- max level (2)			
- 8035M06	6.6	6	
- 8045M08	10.5	9.5	
- 8065M12	13.2	12	
Fuel tank			
	-	-	Diesel (4)

1) Use a mixture of water and 50% Parafllu 11 in the summer months as well to provide optimal protection of the cooling system. As an alternative to PARAFLLU 11, a similar product can be used provided that it corresponds to international specifications SAEJ 1034.

2) The quantity indicated is that required for routine oil changes.

3) Use lubricants corresponding to the following international specifications: ACEA E3-96 (e.g. URANIA TURBO LD) for turbocharged engines; ACEA E2-96/API CF4/MIL L 2104E (e.g. URANIA TURBO) for naturally aspirated engines.

The foregoing is valid for an engine change every 300 hours.

As regards the quality of oil to be used in relation to ambient temperature, see the table on the following page.

4) With atmospheric temperature below freezing, use a winter-type fuel.

WARNING

If fuel with a sulphur content of more than 0.5% or oil type ACEA E2-96/API CF4/MILL 2104E (e.g. URANIA TURBO) is used in turbocharged engines, the engine oil change must be reduced to every 200 hours.

ROUTINE MAINTENANCE

CLEANING THE DRY-STATE AIR FILTER (8065M12)

At least once a year, clean the filter using an air jet, blowing from the inside to the outside of the element.

Except in the case of premature breakages, the filter must be changed every 2 years.

To remove the air filter, proceed as follows:

- unscrew the four nuts 1 with the relative washers 2;
- remove the lid 3 and extract the filtering element 4.

To reassemble, reverse the removal procedure.

