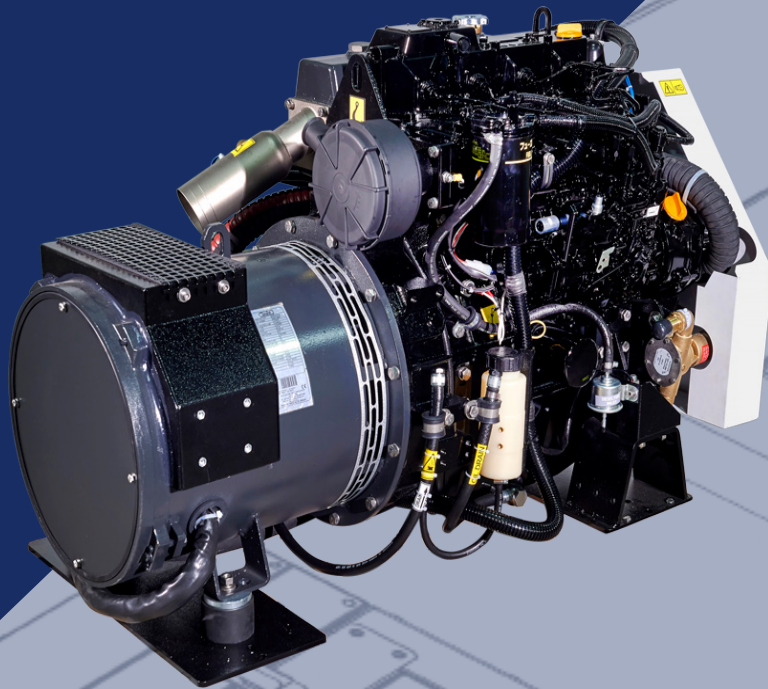
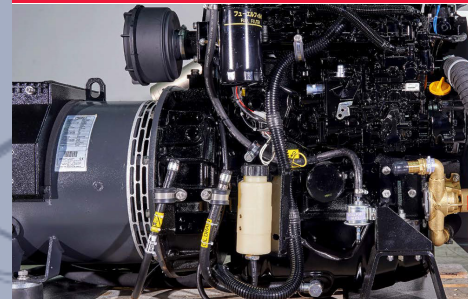


mariner 2700 - 3100



CONTROL PANEL



YANMAR 1500 RPM ENGINE



WATER/GAS OUTLET

the engine is cooled by a coolant loop in a closed circuit. The system consists of a heat exchanger, inside which the heat exchange between coolant and sea water takes place. Two separate pumps provide for the circulation of coolant and seawater. Air flows ensure effective cooling of the alternator. The excellent accessibility makes maintenance operations easier, even with the generator installed in confined environments.



COMPACT
DESIGN



EASY
INSTALLATION

We reserve the right to modify the data, images and drawings in this document without prior notice.

For more detailed information, please contact your local distributor or Mase Generators S.p.A.



mase generators spa

Via Tortona, 345 | 47522 - Cesena (FC) | Italy

Tel. +39 0547 354311

commercial@masegenerators.com

www.masegenerators.com

mase
GENERATORS
Believing in change.

Output power 29 kW 50 Hz - 34 kW 60 Hz

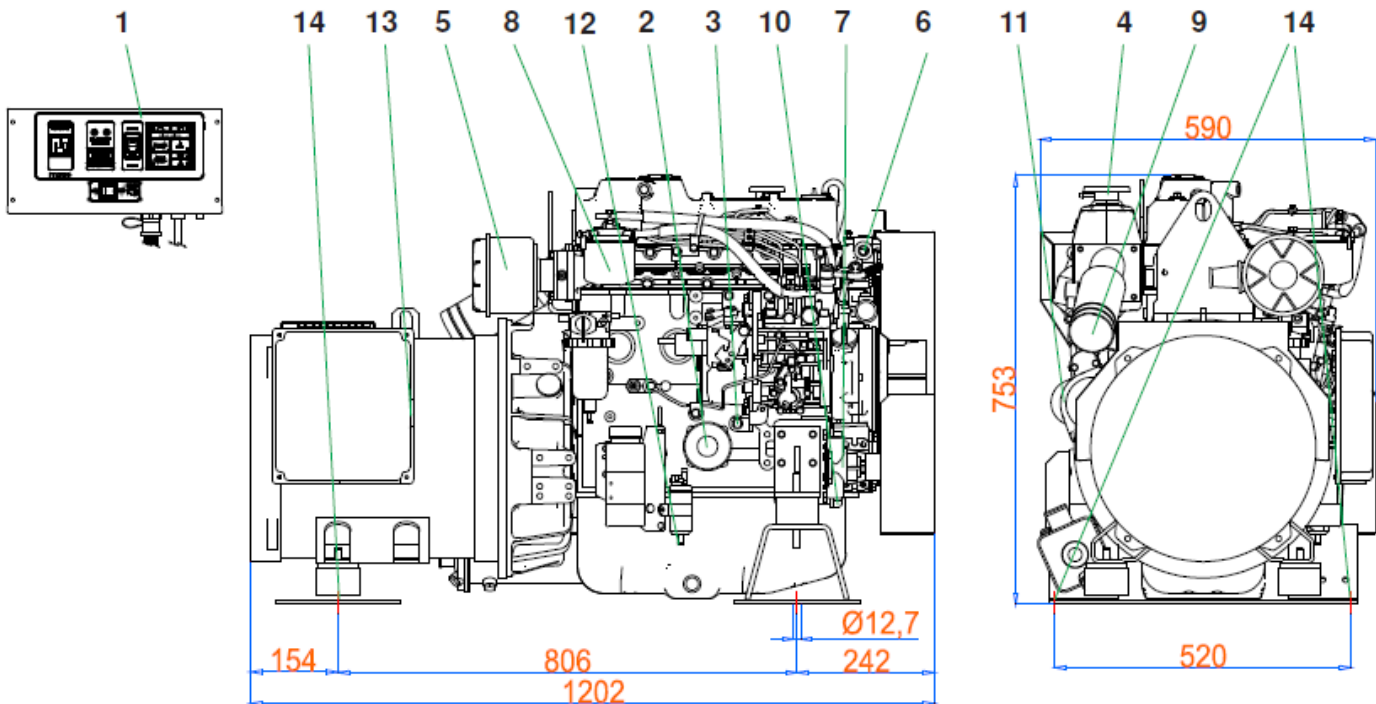
CONTROL PANEL

_ CBU EVO IL4 device controls and drives the genset. The large display and control pushbuttons allow easy use and monitoring:

- Manual start
 - Voltage Vac
 - Frequency Hz
 - Engine rpm
 - Hour meter
 - Genset battery voltage
 - Oil pressure
 - Engine temperature
 - Power output
 - Current output
 - Oil low pressure alarm
 - Engine high temperature alarm
 - Alternator battery charger failure alarm
 - Low and high voltage alarm
 - Low and high frequency alarm
 - Low and high rpm engine
 - Alarm history
 - Maintenance warnings
- _ Emergency stop button
_ Magneto-thermal protection

ENGINE

- _ Easy maintenance access to the feeding and lubrication systems, the sea water pump and the air filter
- _ Double vibration dumping system
- _ Oil drain pump



- | | | | |
|--------------------------------|---|----------------------------------|---------------------|
| 1. Control panel | 6. Closed circuit water pump | 10. Seawater inlet (Ø 16mm) | 14. Fixing stirrups |
| 2. Engine oil filter cartridge | 7. Seawater pump | 11. Battery connection | |
| 3. Oil dipstick | 8. Fuel filter | 12. Fuel tank connection (Ø 8mm) | |
| 4. Engine oil cap | 9. Seawater exhaust connection (Ø 50mm) | 13. Electric cables outlet | |
| 5. Air filter | | | |

Output power 29 kW 50 Hz - 34 kW 60 Hz

	50 Hz	60 Hz
AC alternator -	Synchronous, 4 poles, with AVR	
Cooling -	Air	
Voltage -	115 or 230 V	120 or 240 V
Frequency -	50 Hz	60 Hz
Amps -	252.2 or 126.1 A	283.3 or 141.7 A
Max power -	29 kW	34 kW
Continuous power -	27 kW	31 kW
Power Factor -	cos ϕ 1	
Insulating class -	H	
Voltage stability -	$\pm 2\%$	
Frequency stability -	$\pm 5\%$	

The power is referred to an atmospheric pressure of 100 kPa, a humidity percentage of 30% and an ambient temperature of 25°C.

Model -	Yanmar 4TNV98	
Type -	Diesel	
Cylinders -	nr 4	
Cylinder block material -	Cast iron	
Bore -	98 mm - 3.86 in	
Stroke -	110 mm - 4.33 in	
Displacement -	3319 cc - 202.54 CID	
Power -	47 hp - 34.57 kWm (at 1500 RPM)	56 hp - 41.19 kWm (at 1800 RPM)
RPM -	1500	1800
Compression ratio -	18.5:1	
Combustion system -	Direct injection	
Engine head material -	Cast iron	
Speed governor -	Mechanical	
Lubrication system -	Forced	
Oil sump capacity with filter -	8.20 l - 2.31 gl	
Engine stop system -	Electromagnet	
Fuel pump -	Electric	
Max. fuel pump head -	700 mm - 27.55 in	
Fuel consumption -	10.8 l/h - 2.85 gl/h	12.4 l/h - 3.28 gl/h
Air intake -	2700 l/min - 95 cfm	
Starting battery -	100 Ah - 12 V	
Battery charger -	40 Ah - 12 V	
Starter motor -	2.3 kW - 12 V	
Max. inclination -	25°	
Water pump flow -	40 l/min - 10.56 gl/min	45 l/min - 11.88 gl/min
Sea water inlet pipe \varnothing -	25 mm - 1"	
Exhaust pipe \varnothing -	80 mm - 3.14 in	
Input/Output fuel pipe \varnothing -	8 mm - 5/16"	
Dimensions (L x W x H) -	1202 x 590 x 753 mm - 47.3 x 23.2 x 29.6	
Weight -	530 Kg - 1169 lb	

Accessory

Code

ACCESSORIES ON REQUEST

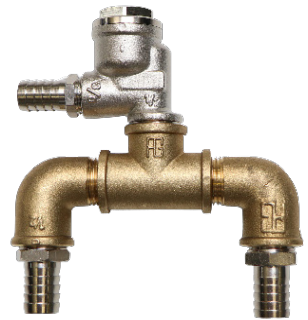
• Filtering kit: sea water inlet, sea water strainer, taps, fittings D.25 - ref.4	03793
• Siphon break D.25 - ref.3	015849
• Centek muffler 3" - ref.5	71282
• Centek 3" water/gas exhaust separator - ref.6	71283
• Remote START/STOP panel with 20m cable for Comap IL4 - ref.1	037561
• Comap IL4 remote start panel with cable - ref.2	039607
• Cruise KIT 2024	910994



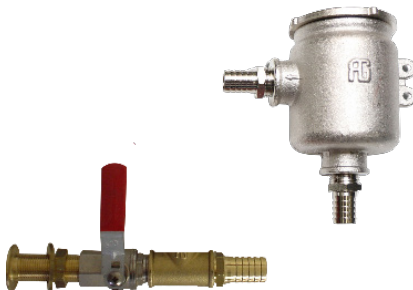
.1



.2



.3



.4



.5



.6