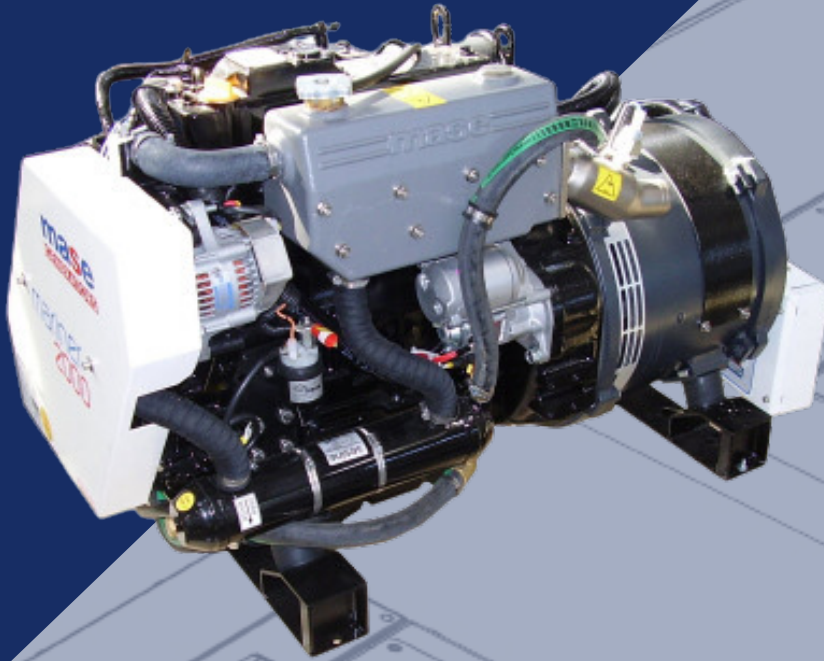
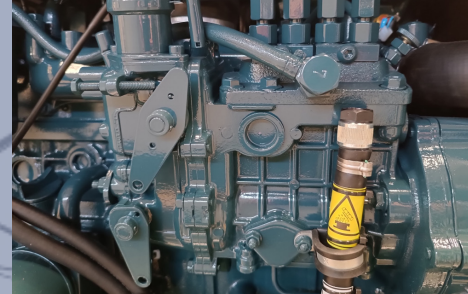


mariner 2200 K - 2460 K



CONTROL PANEL



KUBOTA ENGINE



INPUT/OUTPUT FUEL PIPE

the engine is cooled by a coolant loop in a closed circuit. The system consists of a heat exchanger, inside which the heat exchange between coolant and sea water takes place. Two separate pumps provide for the circulation of coolant and seawater. Air flows ensure effective cooling of the alternator. The excellent accessibility makes maintenance operations easier, even with the generator installed in confined environments.



COMPACT DESIGN



EASY INSTALLATION

We reserve the right to modify the data, images and drawings in this document without prior notice.

For more detailed information, please contact your local distributor or Mase Generators S.p.A.



mase generators spa

Via Tortona, 345 | 47522 - Cesena (FC) | Italy

Tel. +39 0547 354311

commercial@masegenerators.com

www.masegenerators.com

mase
GENERATORS
Believing in change.



Output power 22 kW 50 Hz - 24 kW 60 Hz

CONTROL PANEL

_ CBU EVO IL4 device controls and drives the genset. The large display and control pushbuttons allow easy use and monitoring:

- Manual start
- Voltage Vac
- Frequency Hz
- Hour meter
- Genset battery voltage
- Oil low pressure alarm
- Engine preheating
- Engine high temperature alarm
- Alternator battery charger failure alarm
- Protection alarm for frequency and rpm
- Alarm history
- Maintenance warnings
- General alarm outlet
- RUN outlet
- Ready outlet
- Programmable AUX outlet

_ Emergency stop button

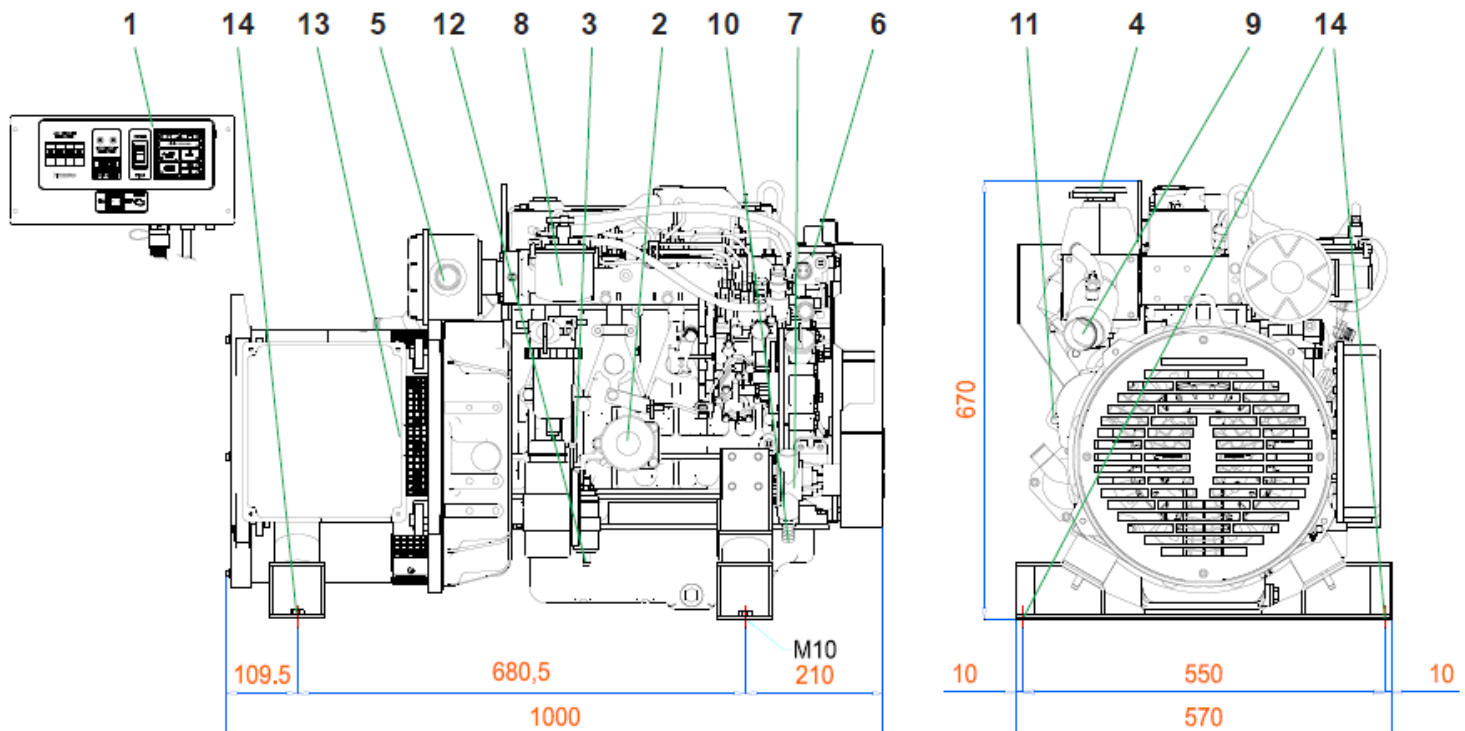
_ Magneto-thermal protection

ENGINE

_ Easy maintenance access to the feeding and lubrication systems, the sea water pump and the air filter

_ Double vibration dumping system

_ Oil drain pump



- | | | | |
|--------------------------------|-----------------------------------------|----------------------------------|---------------------|
| 1. Control panel | 6. Closed circuit water pump | 10. Seawater inlet (ø 16mm) | 14. Fixing stirrups |
| 2. Engine oil filter cartridge | 7. Seawater pump | 11. Battery connection | |
| 3. Oil dipstick | 8. Fuel filter | 12. Fuel tank connection (ø 8mm) | |
| 4. Engine oil cap | 9. Seawater exhaust connection (ø 50mm) | 13. Electric cables outlet | |
| 5. Air filter | | | |



Output power 22 kW 50 Hz - 24 kW 60 Hz

	50 Hz	60 Hz
AC alternator -	Synchronous, 4 poles, with AVR	
Cooling -	Air	
Voltage -	115 - 230 V	120 - 240 V
Frequency -	50 Hz	60 Hz
Amps -	191.3 - 95.7 A	200 - 100 A
Max power -	22 kW	24 kW
Continuous power -	20 kW	22 kW
Power Factor -	cos ϕ 1	
Insulating class -	H	
Voltage stability -	$\pm 2\%$	
Frequency stability -	$\pm 2\%$	

The power is referred to an atmospheric pressure of 100 kPa, a humidity percentage of 30% and an ambient temperature of 25°C.

Model -	Kubota V2403	
Type -	Diesel	
Cylinders -	nr 4	
Cylinder block material -	Cast iron	
Bore -	87 mm - 3.43 in	
Stroke -	102 mm - 4.03 in	
Displacement -	2434 cc - 148.53 CID	
Power -	29.5 hp - 21.70 kWm (at 1500 RPM)	39.8 hp - 29.28 kWm (at 1800 RPM)
RPM -	1500	1800
Compression ratio -	23.2:1	
Combustion system -	Indirect injection	
Engine head material -	Cast iron	
Speed governor -	Electronic	
Lubrication system -	Forced	
Oil sump capacity with filter -	6.6 l - 1.86 gl	
Engine stop system -	Electromagnet	
Fuel pump -	Electric	
Max. fuel pump head -	700 mm - 27.5 in	
Fuel consumption -	6.1 l/h - 1.61 gl/h	6.5 l/h - 1.72 gl/h
Air intake -		
Starting battery -	100 Ah - 12 V	
Battery charger -	40 Ah - 12 V	
Starter motor -	2 Ah - 12 V	
Max. inclination -	25°	
Water pump flow -	28 l/min - 7.39 gl/min	
Sea water inlet pipe \varnothing -	25 mm - 1"	
Exhaust pipe \varnothing -	60 mm - 2.4	
Input/Output fuel pipe \varnothing -	8 mm - 5/16"	
Dimensions (L x W x H) -	1000 x 570 x 670 mm - 39.4 x 22.4 x 26.4 in	
Weight -	435 kg - 959 lb	

Accessory

Code

ACCESSORIES ON REQUEST

• Filtering kit: sea inlet, water filter, valves, fittings D.25 - ref.4	03793
• Siphon break kit D.25 - ref.3	015849
• Muffler Vetus LP60	71711
• Silencer Vetus MP60	71746
• Silencer c.71746 with soundproofing sponge	039865
• Separator Vetus LGS6050	71712
• Muffler Centek 2" 1/2 - ref.5	71714
• Water/gas separator 2" 1/2 Centek - ref.6	71713
• Remote START/STOP panel with 20m cable for Comap IL4 - ref.1	037561
• Comap IL4 remote start panel with 20m cable - ref.2	039607
• Cruise Kit	913806



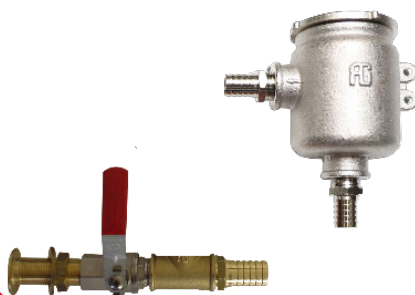
.1



.2



.3



.4



.5



.6