

IS 9.1 - IS 9.6



CONTROL PANEL



KUBOTA ENGINE



INPUT/OUTPUT FUEL PIPE

the intercooler W/A assures the perfect functioning of the generator independently of the external ambient temperature, therefore the alternator and the engine will work at ideal temperature optimizing the performance and reliability of the gen-set. The generator may be installed in any room on the vessel without the need of ventilation blowers. Extremely compact and quiet, the generator is equipped with a double shock absorbing system to increase comfort: the first one absorbs vibrations from engine-alternator to the frame, the second one absorbs residual micro-vibrations from frame to vessel.



COMPACT DESIGN



EASY INSTALLATION



SUPER SILENCED

We reserve the right to modify the data, images and drawings in this document without prior notice.

For more detailed information, please contact your local distributor or Mase Generators S.p.A.



mase generators spa

Via Tortona, 345 | 47522 - Cesena (FC) | Italy

Tel. +39 0547 354311

commercial@masegenerators.com

www.masegenerators.com

mase
GENERATORS
Believing in change.

Output power 8.6 kW 50 Hz - 9.6 kW 60 Hz

CONTROL PANEL

_ The CBU module is equipped with a large display and includes multiple functions for the complete monitoring of the generator:

- Manual start
 - Voltage Vac
 - Frequency Hz
 - Engine rpm
 - Hour meter
 - Genset battery voltage
 - Oil low pressure alarm
 - Engine high temperature alarm
 - Alternator high temperature alarm
 - Alarm history
 - Maintenance warnings and 10 meters connection cable
- _ Emergency stop button
- _ Thermal protection

ENGINE

_ Easy maintenance access to the feeding and lubrication systems, the sea water pump and the air filter

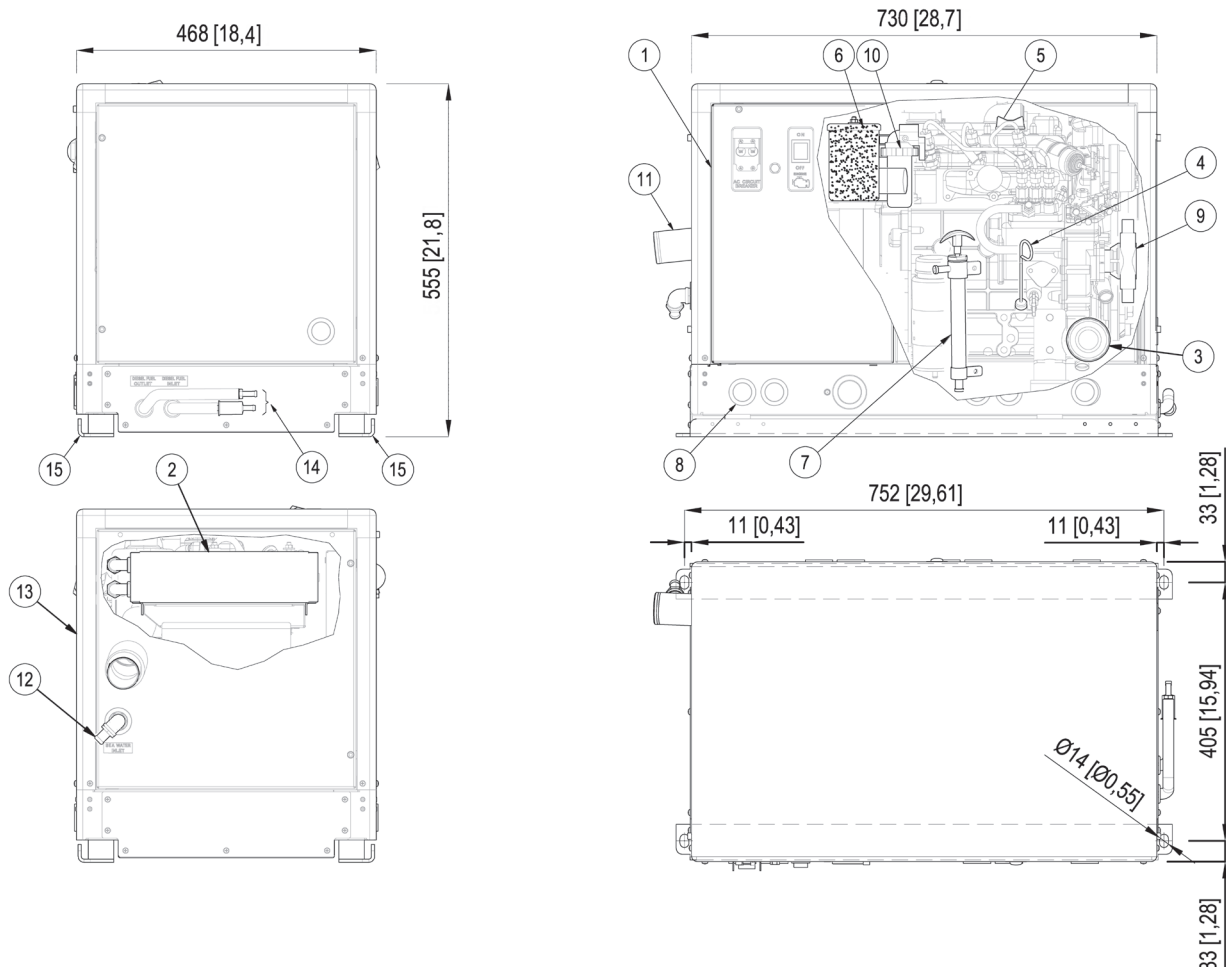
_ Double vibration dumping system

_ Oil drain pump

SOUNDPROOF CABIN

_ Made of extremely light marine aluminum with very high resistance to external agents

Insulated poles kit (for metal hull boats), dry exhaust kit and keel cooling kit are available on request



- | | | | |
|--------------------------|-------------------|-------------------------|------------------------------------|
| 1. Control panel | 6. Air filter | 11. Exhaust manifold | 16. Fuel tank connections (d.8 mm) |
| 2. Air / water exchanger | 7. Oil drump pump | 12. (d.50 mm) | 17. Genset fixing brackets |
| 3. Oil filter cartridge | 8. Cables outlet | 13. Sea water intake | |
| 4. Oil dipstick | 9. Sea water pump | 14. (d.16 mm) | |
| 5. Engine oil filler | 10. Fuel filter | 15. Battery connections | |

IS 9.1

IS 9.6

mase
GENERATORS
Believing in change.

Output power 8.6 kW 50 Hz - 9.6 kW 60 Hz

	50 Hz	60 Hz
AC alternator -	Synchronous, 2 poles, brushless, self-energized, self regulated	
Cooling -	Air / Water (Intercooler W / A)	
Voltage -	115 or 230 V	120 or 240 V
Frequency -	50 Hz	60 Hz
Amps -	74.8 or 37.4 A	80 or 40 A
Max power -	8.6 kW	9.6 kW
Continuous power -	7.8 kW	8.8 kW
Power Factor -	cos ϕ 1	
Insulating class -	H	
Voltage stability -	$\pm 10\%$	
Frequency stability -	$\pm 5\%$	
The power is referred to a sea water temperature up to 31°, an atmospheric pressure of 100 KPa and a humidity percentage of 30%		
Model -	Kubota D722	
Type -	Diesel 4 stroke	
Cylinders -	nr 3	
Cylinder block material -	Cast iron	
Bore -	67 mm - 2.64 in	
Stroke -	68 mm - 2.68 in	
Displacement -	719 cc - 43.9 CID	
Power -	16.6 hp - 12.21 kWm	20 hp - 14.71 kWm
RPM -	3000	3600
Compression ratio -	23.5:1	
Combustion system -	Indirect injection	
Engine head material -	Cast iron	
Speed governor -	Centrifugal mechanical	
Lubrication system -	Forced	
Oil sump capacity with filter -	2.7 l - 0.76 gal	
Engine stop system -	Electromagnet	
Fuel pump -	Electric	
Max. fuel pump head -	700 mm - 27.5 in	
Fuel consumption -	3.2 l/h - 0.85 gal/h	3.9 l/h - 1.03 gal/h
Air intake -	860 l/min - 30 cfm	1032 l/min - 36 cfm
Starting battery -	65 Ah - 12 V	
Battery charger -	14 Ah - 12 V	
Starter motor -	1.2 kW - 12 V	
Max. inclination -	25°	
Water pump flow -	20 l/min - 5.3 gal/min	24 l/min - 6.34 gal/min
Sea water inlet pipe \varnothing -	16 mm - 5/8"	
Exhaust pipe \varnothing -	50 mm - 2"	
Input/Output fuel pipe \varnothing -	8 mm - 5/16"	
Dimensions (L x W x H) -	730 x 468 x 555 mm - 28.7 x 18.4 x 21.80 in (with soundproof box)	
Weight -	195 Kg - 430 lb (with soundproof box)	
Noise Level -	54 dBA at 7 mt (23 ft)	56 dBA at 7 mt (23 ft)

Output power 8.6 kW 50 Hz - 9.6 kW 60 Hz

Accessory

Code

ACCESSORIES ON REQUEST

• Installation kit D.50: filtering set, exhaust set and siphon break D.16	012276
• Filtering kit: sea water inlet, sea water strainer, taps, fittings D.16 - ref.3	04349
• Exhaust kit: muffler, silencer, exhaust outlet D.50 MASE - ref.1	04658
• Super silenced exhaust kit & exhaust gas separator D.50 MASE - ref.4	010078
• Siphon break D.16 - ref.2	04290
• Mase Muffler D.50	70795
• Silencer Mase D.50	71809
• Mase water/gas exhaust separator D.50	04488
• Vetus LP50 muffler	71148
• Vetus silencer MP50	71751
• Silencer c.71751 with soundproofing sponge	039866
• Vetus Separator LGS5038	71717
• Centek muffler 2"	71155
• Centek 2" water/gas exhaust separator	71156
• Water protection - ref.5	040539
• Soundproofing cabin	040705
• Remote START/STOP 20-meter control kit for CBU (3000 RPM)	041238
• Cruise KIT 2023	912405
• Cruise KIT 2024	913845

