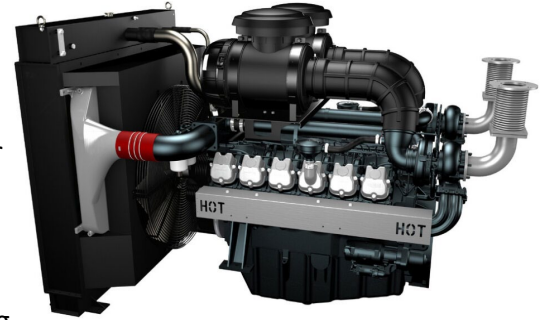


# DP222LC

## DESCRIPTION

- Easy installation, high performance, fuel efficiency and durability, which engine users always look for, are in DP222 L-Series engine.
- With Hyundai's engineering expertise, DP222 L-Series engines obtain the maximum power output and fuel efficiency while maintaining mechanical type that helps customers manage an engine more easily and conveniently.
- The most appealing part is simple design minimizing an impact of installation and maintenance.



## FEATURES & BENEFITS

### [High Fuel Efficiency]

- Improved fuel efficiency
- Fuel consumption reduction thanks to stable combustion

### [High Durability]

- New and strengthened key parts
- Improved durability with reinforced exhaust manifold
- Reinforced belt and high-performance radiator

### [Easy Installation]

- Redesigned engine mounting bracket
- Repositioned turbochargers
- Easy installation in cold region

### [Easy Maintenance]

- Mechanical type engine
- Commonality of key parts

### [Safety Design]

- New belt cover and heat screen for safety and beautification
- The fuel strainer is repositioned to secure sufficient space with the turbocharger so as to prevent fire caused by overheat of an engine

## OUTPUT

| 1,500 RPM (50Hz) |     |     |       |     |     |            |     |     | 1,800 RPM (60Hz) |     |     |       |     |     |            |     |     |
|------------------|-----|-----|-------|-----|-----|------------|-----|-----|------------------|-----|-----|-------|-----|-----|------------|-----|-----|
| Standby          |     |     | Prime |     |     | Continuous |     |     | Standby          |     |     | Prime |     |     | Continuous |     |     |
| kWm              | kWe | kVA | kWm   | kWe | kVA | kWm        | kWe | kVA | kWm              | kWe | kVA | kWm   | kWe | kVA | kWm        | kWe | kVA |
| 723              | 662 | 828 | 657   | 599 | 749 | 460        | 413 | 516 | 828              | 747 | 934 | 753   | 676 | 845 | 527        | 462 | 578 |

- Generator efficiency (typical) : 94.5%
- kWm= kilo Watt mechanical, Gross power; kWe= kilo Watt electric = (kWm-Fan loss) x Generator eff.  
kVA= kilo Volt Ampere  
Calculations based on a 0.8 power factor = kWe/0.8

# DP222LC

## GENERAL DATA

|                             |   |
|-----------------------------|---|
| Type                        | Diesel, Water cooled, Turbo charged & Intercooled |
| Bore                        | 128mm   |
| Stroke                      | 142mm   |
| Displacement liter          | 21.9  |
| Cylinders and Arrangement   | Cast iron, 12 Cylinder, Vee-Type                  |
| Battery charging alternator | 27.5V x 45A alternator                            |
| Starting voltage            | 24V   |
| Fuel system                 | Mechanical Injection Pump                         |
| Fuel filter                 | Full flow, Cartridge type with water drain valve. |
| Lube oil filter type (s)    | Full flow, Cartridge type                         |
| Lube oil capacity (l)       | Max. 40 liters , Min. 27 liters                   |
| Flywheel dimensions         | SAE NO. 1M / Clutch NO. 14 M                      |

## COOLING SYSTEM

|   |                                    |           |
|---|------------------------------------|-----------|
| Cooling method                                | Jacket Water and Charge Air Cooled |           |
| Cooling ratio                                 | 50% ethylene glycol; 50% water     |           |
| Water capacity (L)                            | with radiator                      | 114liters |
|   | Without radiator                   | 23liters  |
| Fan power (kW)                                | 24kW(50Hz), 38kW(60Hz)             |           |
| Cooling system air flow (m <sup>3</sup> /min) | 14.33(50Hz), 17.5(60Hz)            |           |

## FUEL CONSUMPTION

### 1,500 RPM (50Hz)

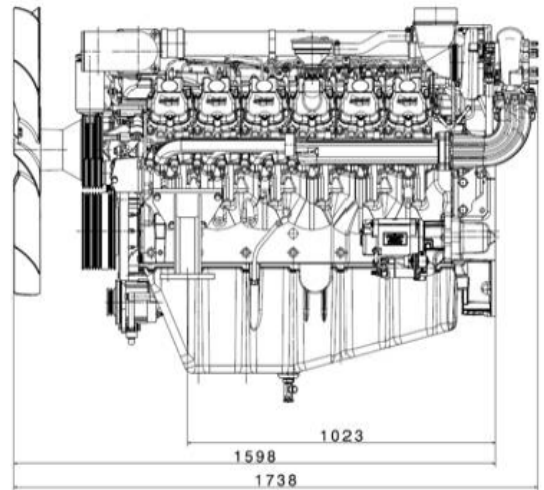
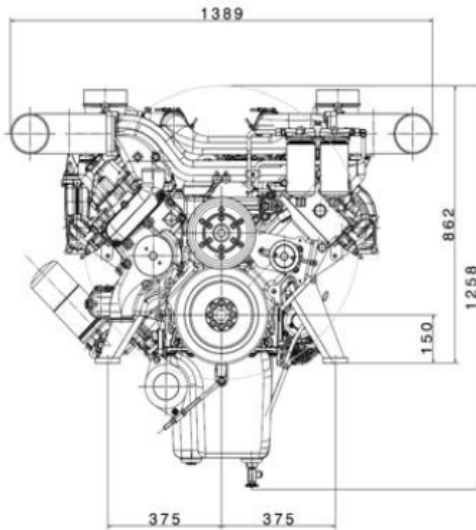
| %                       | kWm   | BHP   | Liters/hr | USgal/hr |
|-------------------------|-------|-------|-----------|----------|
| <b>Standby Power</b>    |       |       |           |          |
| 100                     | 723.0 | 969.5 | 172.8     | 45.65    |
| <b>Prime Power</b>      |       |       |           |          |
| 100                     | 657.0 | 881.0 | 161.0     | 42.53    |
| 75                      | 492.8 | 660.8 | 119.1     | 31.46    |
| 50                      | 328.5 | 440.5 | 79.3      | 20.95    |
| 25                      | 164.3 | 220.3 | 42.1      | 11.12    |
| <b>Continuous Power</b> |       |       |           |          |
| 100                     | 460.0 |       |           |          |

### 1,800 RPM (60Hz)

| %                       | kWm   | BHP    | Liters/hr | USgal/hr |
|-------------------------|-------|--------|-----------|----------|
| <b>Standby Power</b>    |       |        |           |          |
| 100                     | 828.0 | 1110.3 | 203.8     | 53.84    |
| <b>Prime Power</b>      |       |        |           |          |
| 100                     | 753.0 | 1009.8 | 183.2     | 48.40    |
| 75                      | 564.8 | 757.3  | 134.4     | 35.50    |
| 50                      | 376.5 | 504.9  | 91.3      | 24.12    |
| 25                      | 188.3 | 252.4  | 49.1      | 12.97    |
| <b>Continuous Power</b> |       |        |           |          |
| 100                     | 527.0 |        |           |          |

# DP222LC

## DIMENSIONS



Weights and Dimensions

| Item   | Length (mm) | Width (mm) | Height (mm) | Dry Weight (kg) |
|--------|-------------|------------|-------------|-----------------|
| Engine | 1,738       | 1,389      | 1,258       | 1,420           |

## POWER RATING GUIDE

The power ratings of Emergency Standby and Prime are in accordance with ISO 8528. Fuel Stop power in accordance with ISO 3046. Electric power (kWe) must be considered cooling fan loss, alternator efficiency, altitude derating and ambient temperature.

**ESP(STANDBY POWER)** is applicable for supplying emergency power for the duration of the utility power outage. No overload capability is available for this rating. A standby rated engine should be sized for a maximum of an 70% average load factor and 200 hours of operation per year. This includes less than 25 hours per year at the Standby Power rating.

**PRP(PRIME POWER)** is available for an unlimited number of hours per year in variable load application. Variable load should not exceed a 70% average of the Prime Power rating during any operating period of 24 hours. The Total operating time at 100% Prime Power shall not exceed 500 hours per year. A 10% overload capability is available for a period of 1 hour within a 12 hours period of operation. Total operating time at the 10% overload power shall not exceed 25 hours per year.

**COP(CONTINUOUS POWER)** is defined as being the maximum power which the generating set is capable of delivering continuously whilst supplying a constant electrical load when operated for an unlimited number of hours per year under the agreed operating conditions with the maintenance intervals and procedures being carried out as prescribed by the manufacturer.

※ Specifications are subject to change without prior notice.