



GENERATOR



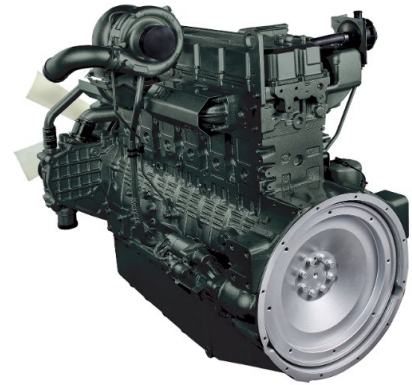
11.1L / 6 CYLINDERS



SWITCHABLE

DESCRIPTION

- DP126 Series has been born with two years of effort from HD Hyundai Infracore, the company with excellent track record of designing superb engine design techniques.
- When compared to other engines in its class that are manufactured by competitors, it displays a higher output, fuel efficiency, safety, and easier maintenance.



FEATURES & BENEFITS

[Increased Output]

- Higher liter per power than P126TI series

[Economic Efficiency]

- Developed to have the lowest fuel consumption in its class
- By applying impactor as a standard, oil carryover has been minimized
- Improved oil pan size allows operation of 500 hours
- Anti-drain bowl shape and anti-drain back valve oil contamination applied

[Easy Maintenance]

- Auto tensioner is applied

OUTPUT

| 1,500 RPM (50Hz) | | | | | | | | | 1,800 RPM (60Hz) | | | | | | | | |
|------------------|-----|-----|-------|-----|-----|------------|-----|-----|------------------|-----|-----|-------|-----|-----|------------|-----|-----|
| Standby | | | Prime | | | Continuous | | | Standby | | | Prime | | | Continuous | | |
| kWm | kWe | kVA | kWm | kWe | kVA | kWm | kWe | kVA | kWm | kWe | kVA | kWm | kWe | kVA | kWm | kWe | kVA |
| 321 | 295 | 369 | 293 | 269 | 336 | 205 | 186 | 233 | 375 | 342 | 428 | 346 | 315 | 394 | 242 | 217 | 271 |

- Generator efficiency (typical) : 94.0%
- kWm= kilo Watt mechanical, Gross power; kWe= kilo Watt electric = (kWm-Fan loss) x Generator eff.
kVA= kilo Volt Ampere
Calculations based on a 0.8 power factor = kWe/0.8

DP126LA

GENERAL DATA

| | |
|-----------------------------|---|
| Type | Diesel, Water cooled, Turbo charged & Intercooled |
| Bore | 123mm |
| Stroke | 155mm |
| Displacement liter | 11.05 |
| Cylinders and Arrangement | Cast iron, 6 cylinder, In-line Type |
| Battery charging alternator | 24V x 80A alternator |
| Starting voltage | 24V |
| Fuel system | Mechanical Injection Pump |
| Fuel filter | Main(On Engine): Full flow, High efficiency dust in fuel filter, cartridge type Pre(Loosed Part): Full flow, cartridge type with water drain valve |
| Lube oil filter type (s) | Full flow, cartridge type |
| Lube oil capacity (l) | Max. 44 liters , Min. 20 liters |
| Flywheel dimensions | SAE NO. 1M / Clutch NO. 14 M |

COOLING SYSTEM

| | | |
|---|------------------------------------|----------|
| Cooling method | Jacket Water and Charge Air Cooled | |
| Cooling ratio | 50% ethylene glycol; 50% water | |
| Water capacity (L) | with radiator | 51liters |
| | Without radiator | 23liters |
| Fan power (kW) | 16kW(50Hz), 24kW(60Hz) | |
| Cooling system air flow (m ³ /min) | 5.2(50Hz), 8.8(60Hz) | |

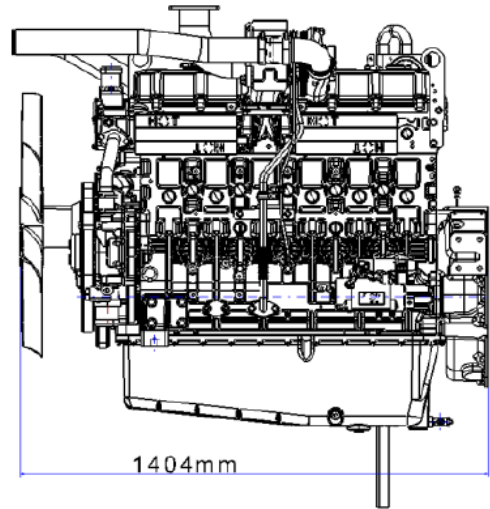
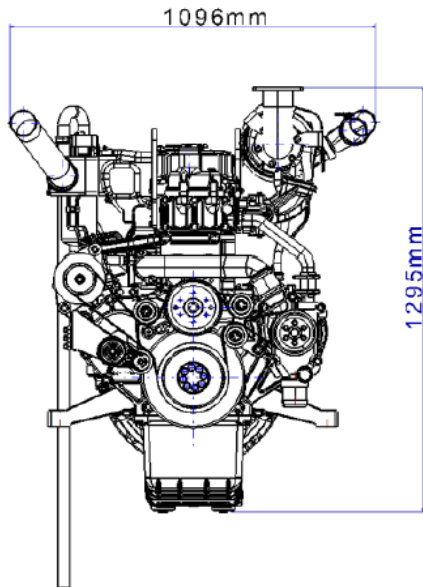
FUEL CONSUMPTION

| 1,500 RPM (50Hz) | | |
|-------------------|-------|-----------|
| % | kWm | Liters/hr |
| Standby | | |
| 100 | 321.0 | 74.3 |
| Prime | | |
| 100 | 293.0 | 68.1 |
| 75 | 219.8 | 51.1 |
| 50 | 146.5 | 34.3 |
| 25 | 73.3 | 17.9 |
| Continuous | | |
| 100 | 205.0 | |

| 1,800 RPM (60Hz) | | |
|-------------------|-------|-----------|
| % | kWm | Liters/hr |
| Standby | | |
| 100 | 375.0 | 87.9 |
| Prime | | |
| 100 | 346.0 | 80.5 |
| 75 | 259.5 | 60.1 |
| 50 | 173.0 | 40.8 |
| 25 | 86.5 | 22.5 |
| Continuous | | |
| 100 | 242.0 | |

DP126LA

DIMENSIONS



Weights and Dimensions

| Item | Length (mm) | Width (mm) | Height (mm) | Dry Weight (kg) |
|--------|-------------|------------|-------------|-----------------|
| Engine | 1,404 | 1,096 | 1,295 | 1,008 |

POWER RATING GUIDE

The power ratings of Emergency Standby and Prime are in accordance with ISO 8528. Fuel Stop power in accordance with ISO 3046. Electric power (kWe) must be considered cooling fan loss, alternator efficiency, altitude derating and ambient temperature.

ESP(STANDBY POWER) is applicable for supplying emergency power for the duration of the utility power outage. No overload capability is available for this rating. A standby rated engine should be sized for a maximum of an 70% average load factor and 200 hours of operation per year. This includes less than 25 hours per year at the Standby Power rating.

PRP(PRIME POWER) is available for an unlimited number of hours per year in variable load application. Variable load should not exceed a 70% average of the Prime Power rating during any operating period of 24 hours. The Total operating time at 100% Prime Power shall not exceed 500 hours per year. A 10% overload capability is available for a period of 1 hour within a 12 hours period of operation. Total operating time at the 10% overload power shall not exceed 25 hours per year.

COP(CONTINUOUS POWER) is defined as being the maximum power which the generating set is capable of delivering continuously whilst supplying a constant electrical load when operated for an unlimited number of hours per year under the agreed operating conditions with the maintenance intervals and procedures being carried out as prescribed by the manufacturer.

※ Specifications are subject to change without prior notice.